

Jubilee-Carpenter!



Björnkläder[®]



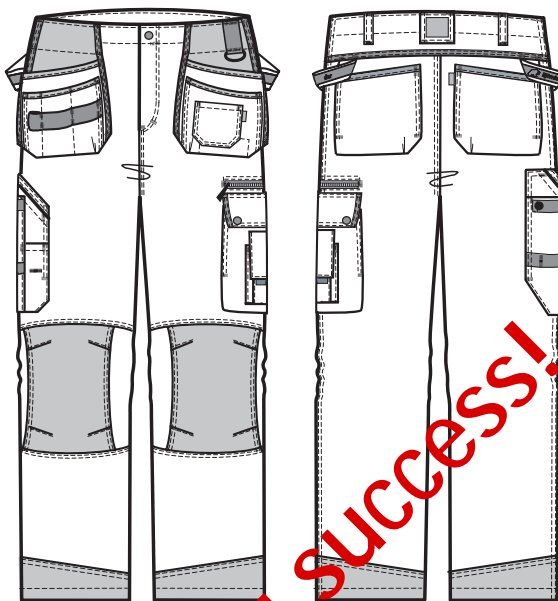
Carpenter Jubilee trousers

The trousers have a modern fit and to increase garment life, we have used Cordura reinforcements on stress points. Useful side pockets, D-rings and smart solutions for your keys. An ID-card holder is placed under one of the tool pockets. The ruler pocket is re-designed and an extra leg pocket with zipper has been added. The knee pockets are higher and improved. Use knee pads order no.: 972255, 972256, 972257. Cotton. Weight: 350 g/m².

Size: 44 - 60, 96 - 120, 146 - 156

OrderNo 665000436 Grey
 665000499 Black
 665000469 Navy
 665000442 Khaki
 665000456 Green

Everybody likes them! The most good looking and practical trousers on the market!?



Big success!



Jubilee-Carpenter, also for women!



Trousers adjusted to female curves!



Carpenter Jubilee trousers

The trousers have been designed to fit women! We have Cordura reinforcements on stress points. Usefull side pockets, D-rings and smart solutions for your keys. An ID-card holder is placed under one of the tool pockets. The ruler pocket is re-designed and an extra leg pocket with zipper has been added. The knee pockets have also been totally re-designed. Cotton. Weight: 350 g/m².

Size: 36-48

OrderNo: 64000499 Black



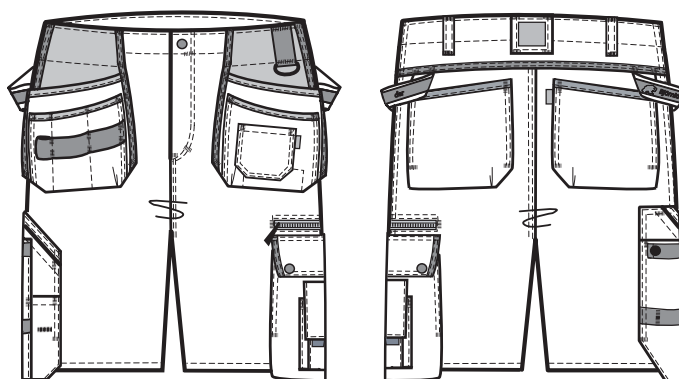


Shorts, Jubilee-Carpenter

The shorts have a new modern fit and to increase garment life, we have Cordura reinforcements on stress points. Useful side pockets, D-rings and smart solutions for your keys. An ID-card holder is placed under one of the tool pockets. The ruler pocket is re-designed and an extra leg pocket with zipper has been added. Weight: 350 g/m².

Size: 44 - 60

OrderNo: 033000436 Grey
 033000469 Navy
 033000499 Black



Bib dungarees, Jubilee Carpenter

Modern fit, cotton with reinforcements in Cordura. Plenty of pockets, tool pockets, back pockets, side- and ruler pockets. Mobile phone pocket and a security pocket with zipper for you wallet or similar. Key holder and D-ring. ID-card holder. Knee pockets of the new higher CE standard. 100% cotton, weight: 350 g/m². Reinforcements in Cordura.

Size: 46 - 60, 100 - 120, 148 - 154

OrderNo: 156000436 Grey
 156000469 Navy
 156000499 Black

NEW!



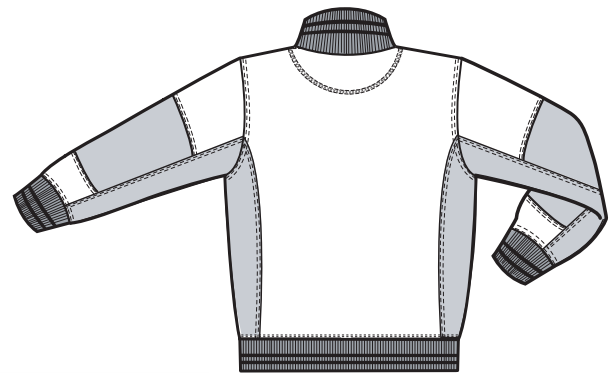
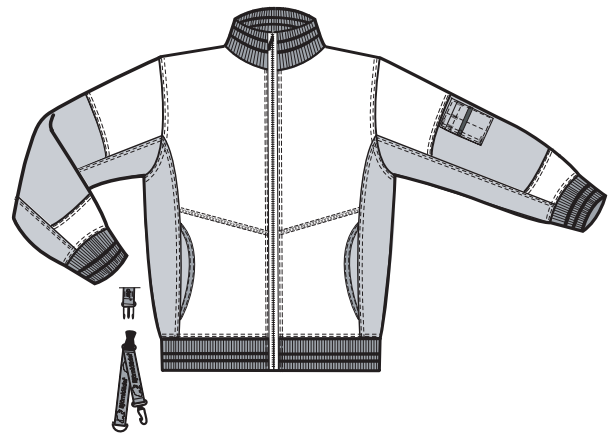
Our popular sweat jacket is now available in 3 colours!

Jubilee Carpenter jacket

A very smooth jacket with good maneuverability and fit. We chose a sweat material to achieve this smoothness and reinforced it with Cordura to handle the rougher conditions of a working environment. All the pockets you need and a smart holder for ID cards. A smart look is included in the price!

Size: XS - XXXL

OrderNo: 920009899 Black/grey
920009841 Khaki/black
920009869 Navy/grey



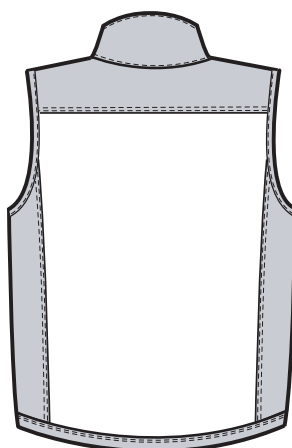
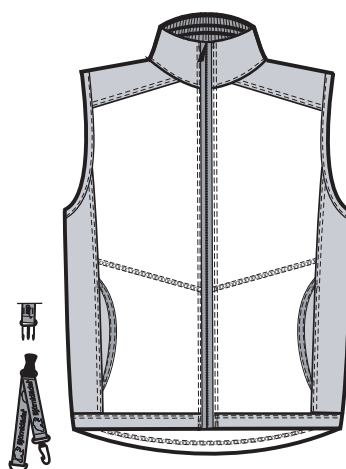


Jubilee Fleece Vest

A nice vest which can be worn all year. The fleece gives you warmth and transports moist away. The vest has been reinforced with Cordura, has a pocket with zipper, a mobile phone pocket and a smart key-holder. A very smooth jacket with good maneuverability and fit. We chose a sweat material to achieve this smoothness and reinforced it with Cordura to handle the rougher conditions of a working environment. All the pockets you need and a smart holder for ID cards. A smart look is included in the price!

Size: XS - XXXL

OrderNo: 454009899



Knee pads

Knee pads in polyethylene cellular plastic for the new jubilee and hi-vis collections. The higher knee pad means that you do not need to lift your trousers before you kneel. It also has a better fit. The flat side should be outwards. 288x154x20 mm.

OrderNo: 972255



Knee pads

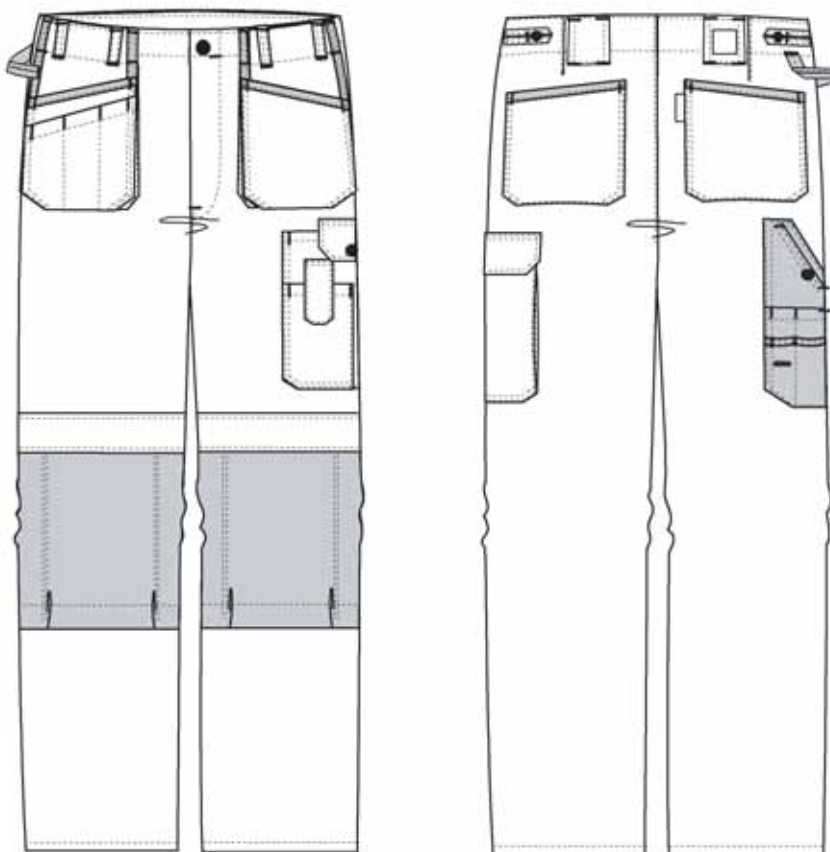
Knee pads in gel foam for the new jubilee and hi-vis collections. The higher knee pad means that you do not need to lift your trousers before you kneel. It also has a better fit. The gel foam withstands heavy pressure and maintains elasticity for a long time.

OrderNo: 972256 290x165x11 mm
972257 290x165x22 mm

The Jubilee Carpenter can also be seen on Swedish TV!



Classic Carpenter line in black canvas!



Fabric description

The robust canvas structure in this fabric really has the "right" appearance - it looks like cotton but has all the positive qualities of a polyester blend. The fabric is 65% polyester and 35% cotton, so it is very resistant to wear and tear. The high polyester content makes it colorfast even when up against non-stop abrasion and perspiration. The fabric is washable in industrial laundries at high temperatures. It complies with the European Öko-Tex standard 100. Weight 295 g/m².

Reinforcement

Cordura is a very resilient fabric that can be used for reinforcing detailed parts or the entire garment. Strength is without a doubt the fabric's best feature, and you'll find other wonderful attributes, such as structure and feel.

Trousers

Colour: Black

Size: 44 - 60, 100 - 120, 146 - 154

OrderNo: 206703899



Vest

Colour: Black

Size: S - XXL

OrderNo: 481703899



Jacket

Colour: Black

Size: S - XXL

OrderNo: 721003899



Shorts

Colour: Black

Size: 44 - 58

OrderNo: 020703899



Bib dungarees

Colour: Black

Size: 46 - 60, 100 - 120, 148 - 154

OrderNo: 150703899

Classic grey Carpenter line in 100% cotton!

Jacket

Colour: Grey

Size: S - XXL

OrderNo: 721000436



Fabric description

Our quality cotton fabric consists of 100% natural fibers, so it is soft, pleasing, and durable. We select fabrics that shrinks only slightly over time. Carpenter Gray garments are made with traditional woven twill in 100% cotton, which weights 350 g/m².

Reinforcement

Cordura is a very resilient fabric that can be used for reinforcing detailed parts or the entire garment. Strength is without a doubt the fabric's best feature, and you'll find other wonderful attributes, such as structure and feel.



We have Carpenter garments in lots of different colours and materials.



Shorts

Colour: Grey

Size: 44 - 58

OrderNo: 020700436



Bib dungarees

Colour: Grey

Size: 46 - 60, 100 - 120, 148 - 154

OrderNo: 150700436



Vest and trousers

Size: Trousers: 44 - 60, 96 - 120, 146 - 154
Vest: S - XXL

OrderNo: 481700436 Vest
206700436 Toolpocket trousers

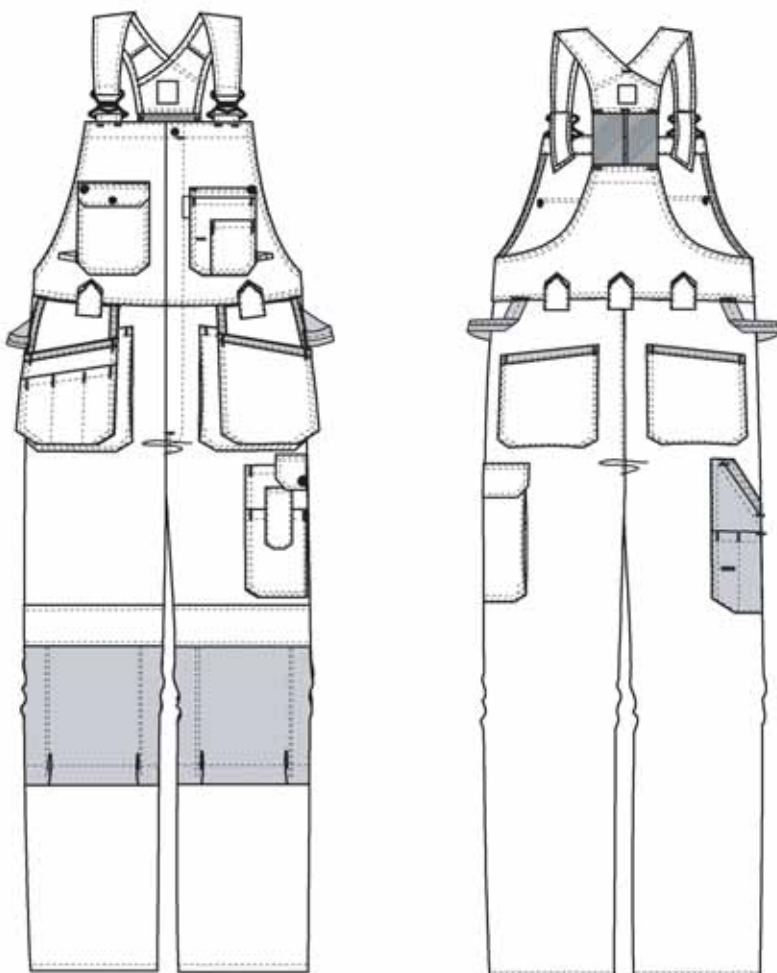
Minute attention to every detail in our entire Carpenter collection makes you feel good and gives you a sense of style and comfort. Cordura reinforcements on all stress points, length-adjusted dual-level knee pockets and lots more.

Fabric description

Our quality cotton fabric consists of 100% natural fibers, so it is soft, pleasing, and durable. We select fabrics that shrink only slightly over time. Carpenter Gray garments are made with traditional woven twill in 100% cotton, which weights 350 g/m².

Reinforcement

Cordura is a very resilient fabric that can be used for reinforcing detailed parts or the entire garment. Strength is without a doubt the fabric's best feature, and you'll find other wonderful attributes, such as structure and feel.



Bib dungarees

Colour: Navy

Size: 46 - 60, 100 - 120, 148 - 154

OrderNo: 150700469



Shorts

Colour: Navy
Size: 44 - 58
OrderNo: 020700469

Trousers and timberman shirt

The timberman shirt has navy/white stripes and the trousers are navy.

Size: Toolpocket trousers: 44 - 60, 96 - 120, 146 - 154
Timberman shirt: S - XXL

OrderNo: 206700469 Toolpocket trousers
363093 Timberman shirt

Jacket

Colour: Navy
Size: S - XXL
OrderNo: 721000469



Vest

Colour: Navy
Size: S - XXL
OrderNo: 481700469



Carpenter has more than 100 years of experience built-in them.



Björnkläder®

Fabric description

Our quality cotton fabric consists of 100% natural fibers, so it is soft, pleasing, and durable. We select fabrics that shrink only slightly over time. Carpenter Gray garments are made with traditional woven twill in 100% cotton, which weights 350 g/m².

Reinforcement

Cordura is a very resilient fabric that can be used for reinforcing detailed parts or the entire garment. Strength is without a doubt the fabric's best feature, and you'll find other wonderful attributes, such as structure and feel.

Vest

Colour: Royal blue

Size: S - XXL

OrderNo: 481700465



Trousers

Colour: Royal blue

Size: 46 - 60, 100 - 120, 146 - 154

OrderNo: 206700465



Bib dungarees

Colour: Royal blue

Size: 46 - 60, 100 - 120, 148 - 154

OrderNo: 150700465



Vest dungarees

Colour: Royal blue

Size: 46 - 60, 148 - 154

OrderNo: 174700465



Jacket

Colour: Royal blue

Size: S - XXL

OrderNo: 72100465



Carpenter Black. 100% polyester with brushed inside. Durable and comfortable!



Bib dungarees

Colour: Black

Size: 46 - 60, 100 - 120, 148 - 154

OrderNo: 150705299

Fabric description

A favourite among customers who put stringent demands on strength. The 100% polyester fabric is brushed on the inside to make it more comfortable. Weight 260 g/m². Easy to wash. Keeps in shape, colour, and finish for a long time.



Jacket

Colour: Black

Size: S - XXL

OrderNo: 721005299



Trousers

Colour: Black

Size: 46 - 60, 100 - 120, 146 - 154

OrderNo: 290705299



Toolpocket trousers

Colour: Black

Size: 46 - 60, 100 - 120, 146 - 154

OrderNo: 206705299



Vest

Colour: Black

Size: S - XXL

OrderNo: 481705299



Carpenter Proline in 100% polyester. Soft, comfortable and supple from day one



Vest

Colour: Medium blue

Size: S - XXL

OrderNo: 481705264



Toolpocket trousers

Colour: Medium blue

Size: 46 - 60, 100 - 120, 146 - 154

OrderNo: 206705264



Trousers

Colour: Medium blue

Size: 46 - 60, 100 - 120, 146 - 154

OrderNo: 290705264





Jacket

Colour: Medium blue Colour: Medium blue

Size: S - XXL

OrderNo: 721005264

Fabric description

A favourite among customers who put stringent demands on strength. The 100% polyester fabric is brushed on the inside to make it more comfortable. Weight 260 g/m². Easy to wash. Keeps in shape, colour, and finish for a long time.



Vest dungarees, craftsman

Colour: Medium blue

Size: 46 - 60, 148 - 154

OrderNo: 174705264



Bib dungarees

Colour: Medium blue

Size: 46 - 60, 100 - 120, 148 - 154

OrderNo: 150705264

Björnkläder®