

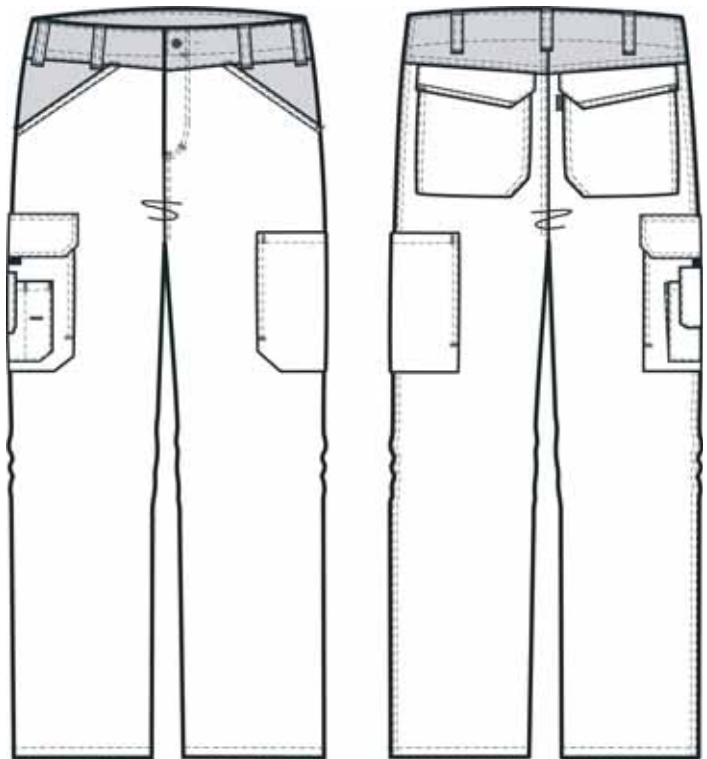


Up Front is available in 3 colour combinations and has trousers in 2 different fits, as well as ladies' trousers of course!

## If you like jeans, you will like Up Front with jeans fit!

### Fabric description

The Up Front collection is made of Indestructible Comfort+ with brushed inside, which increases comfort and gives a gentle cotton feel. 65% polyester/35% cotton, weight 245 g/m<sup>2</sup>. The jeans model and the shorts have a weight of 260 g/m<sup>2</sup> and built-in stretch in the fabric.



Up Front trousers with jeans fit

**Björnkläder**®



*Also available as ladies' trousers!*



### Up Front trousers

The fabric has a rugged inside for a better feel and comfort. We have a new fit, two large leg pockets, the right with a mobile phone pocket, two back pockets with flap and roomy reinforced side pockets. Concealed buttons and zippers. Material: Indestructible Comfort+. 245 g/m<sup>2</sup>.

Size: 44 - 60, 96 - 120, 146 - 154

OrderNo: 035002369 Navy blue/blue

### Up Front trousers with jeans fit

Do you like wearing jeans? In that case this will be your favourite workwear garment! Low jeans fit and a strong fabric with stretch. 6-pocket pants. That's it. Material: 65% polyester, 35% cotton. Stretch. 260 g/m<sup>2</sup>.

Size: 44 - 60, 96 - 120, 146 - 154

OrderNo: 035002369 Navy blue/blue



### Up Front shorts

Low fit, a total of six pockets plus mobile phone pocket. Long legs, but with stretch too keep your mobility. Material: 65% polyester, 35% cotton. Stretch. 260 g/m<sup>2</sup>.

Size: 46 - 58

OrderNo: 035002369 Navy blue/blue



### Up Front-jacket

Three coloured jacket with many details. Zipped front all the way up to the collar. Comfortable side pockets. Right breast pocket has zipper. A large inner pocket with mobile phone pocket inside. Waist is adjustable with straps. Concealed buttons and zippers. Material: Indestructible Comfort+. 245 g/m<sup>2</sup>.

Size: XS - XXL

OrderNo: 035002369 Navy blue/blue/grey

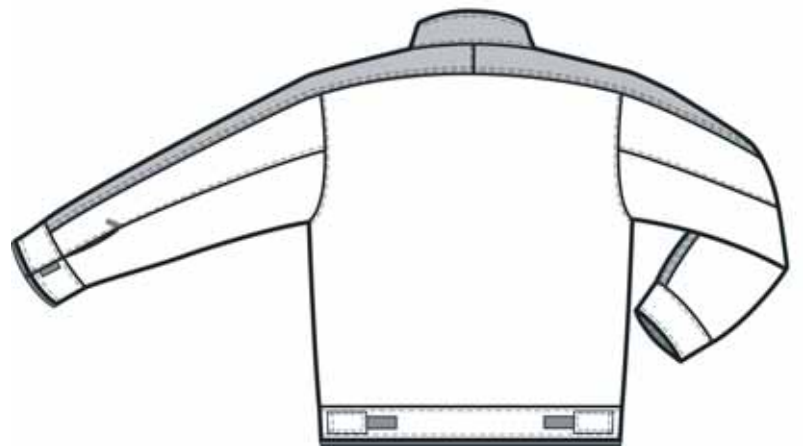
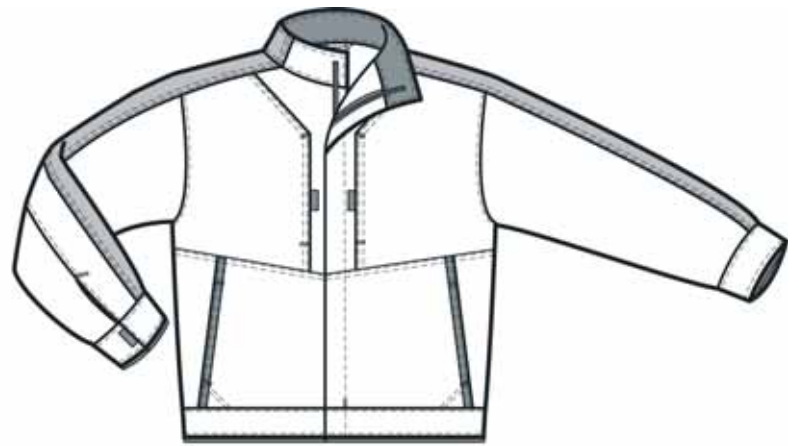


### Up Front boilersuit

This boilersuit has a new cut and fit and a new solution for the breast pockets. The garment gives you good mobility, has an adjustable waist and the material is light for its strength. Good colourfastness and minor shrinkage. Eight pockets. Concealed buttons and zippers. Material: Indestructible Comfort+. 245 g/m<sup>2</sup>.

Size: 44 - 60, 146 - 154

OrderNo: 882002469 Navy blue/blue/grey



## Up Front-jacket

Three coloured jacket with many details. Zipped front all the way up to the collar. Comfortable side pockets. Right breast pocket has zipper. A large inner pocket with mobile phone pocket inside. Waist is adjustable with straps. Concealed buttons and zippers. Material: Indestructible Comfort+. 245 g/m<sup>2</sup>.

Size: XS - XXL

OrderNo: 791002499 Black/dark grey/red



### Fabric description

The Up Front collection is made of Indestructible Comfort+ with brushed inside, which increases comfort and gives a gentle cotton feel. 65% polyester/35% cotton, weight 245 g/m<sup>2</sup>. The jeans model and the shorts have a weight of 260 g/m<sup>2</sup> and built-in stretch in the fabric.



## Up Front boilersuit

Size: 44 - 60, 146 - 154

OrderNo: 882002499 Black/dark grey/red

**Björnkläder**®



*Also available as ladies' trousers!*

**Up Front trousers**

The fabric has a rugged inside for a better feel and comfort. We have a new fit, two large leg pockets, the right with a mobile phone pocket, two back pockets with flap and roomy reinforced side pockets. Concealed buttons and zippers. Material: Indestructible Comfort+. 245 g/m<sup>2</sup>.

Size: 44 - 60, 96 - 120, 146 - 154

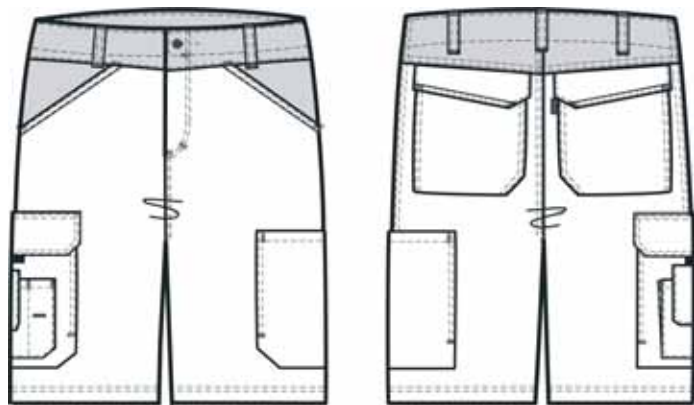
OrderNo: 671002499 Black/dark grey

**Up Front trousers with jeans fit**

Do you like wearing jeans? In that case this will be your favourite workwear garment! Low jeans fit and a strong fabric with stretch. 6-pocket pants. That's it. Material: 65% polyester, 35% cotton. Stretch. 260 g/m<sup>2</sup>.

Size: 44 - 60, 96 - 120, 146 - 154

OrderNo: 668002399 Black/dark grey



**Up Front shorts**

Low fit, a total of six pockets plus mobile phone pocket. Long legs, but with stretch too keep your mobility. Material: 65% polyester, 35% cotton. Stretch. 260 g/m<sup>2</sup>.

Size: 46 - 58

OrderNo: 035002399 Black/dark grey

# Björnkläder®



### Up Front trousers with jeans fit

Do you like wearing jeans? In that case this will be your favourite workwear garment! Low jeans fit and a strong fabric with stretch. 6-pocket pants. That's it. Material: 65% polyester, 35% cotton. Stretch. 260 g/m<sup>2</sup>.

Size: 44 - 60, 96 - 120, 146 - 154

OrderNo: 668002338 Dark grey/grey

### Fabric description

The Up Front collection is made of Indestructible Comfort+ with brushed inside, which increases comfort and gives a gentle cotton feel. 65% polyester/35% cotton, weight 245 g/m<sup>2</sup>. The jeans model and the shorts have a weight of 260 g/m<sup>2</sup> and built-in stretch in the fabric.

### Up Front trousers

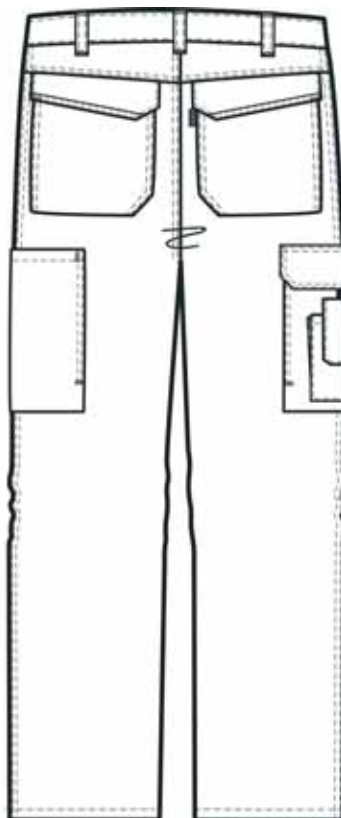
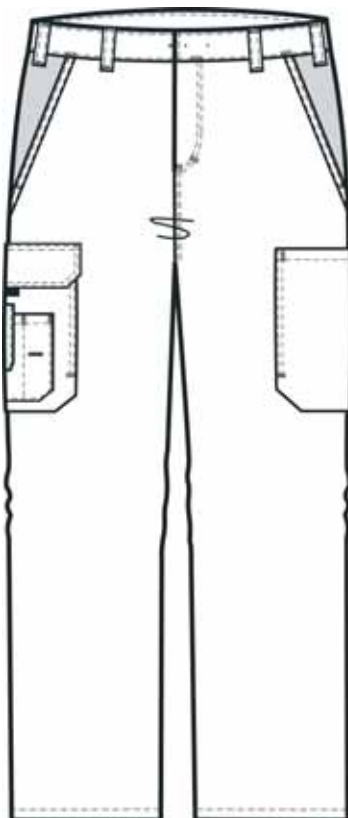
The fabric has a rugged inside for a better feel and comfort. We have a new fit, two large leg pockets, the right with a mobile phone pocket, two back pockets with flap and roomy reinforced side pockets. Concealed buttons and zippers. Material: Indestructible Comfort+. 245 g/m<sup>2</sup>.

Size: 44 - 60, 96 - 120, 146 - 154

OrderNo: 671002438 Dark grey/grey

*Also available as ladies' trousers!*

Up Front trousers





**Up Front shorts**

Low fit, a total of six pockets plus mobile phone pocket. Long legs, but with stretch too keep your mobility. Material: 65% polyester, 35% cotton. Stretch. 260 g/m<sup>2</sup>.

Size: 46 - 58

OrderNo: 035002338 Dark grey/grey

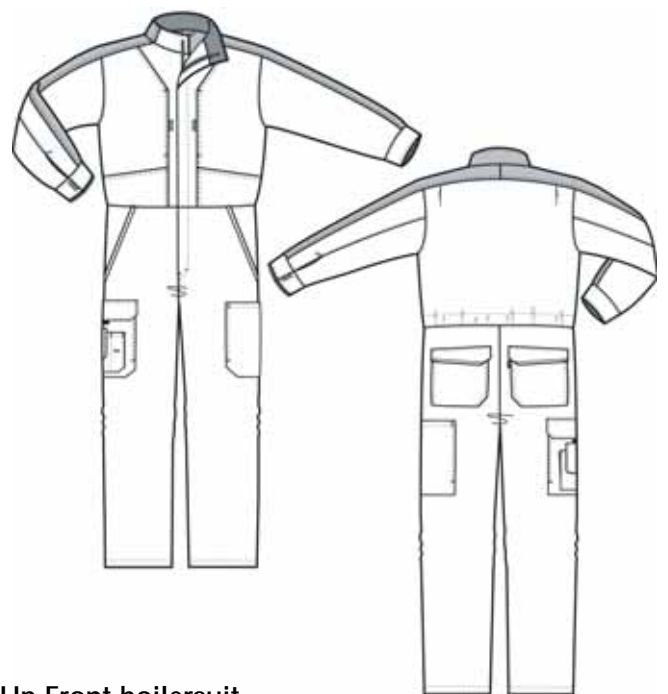


**Up Front-jacket**

Size: XS - XXL



OrderNo: 791002438 Dark grey/grey/black



**Up Front boilersuit**

Size: 44 - 60, 146 - 154

OrderNo: 882002438 Dark grey/grey/black

# Up Front also fits the ladies!

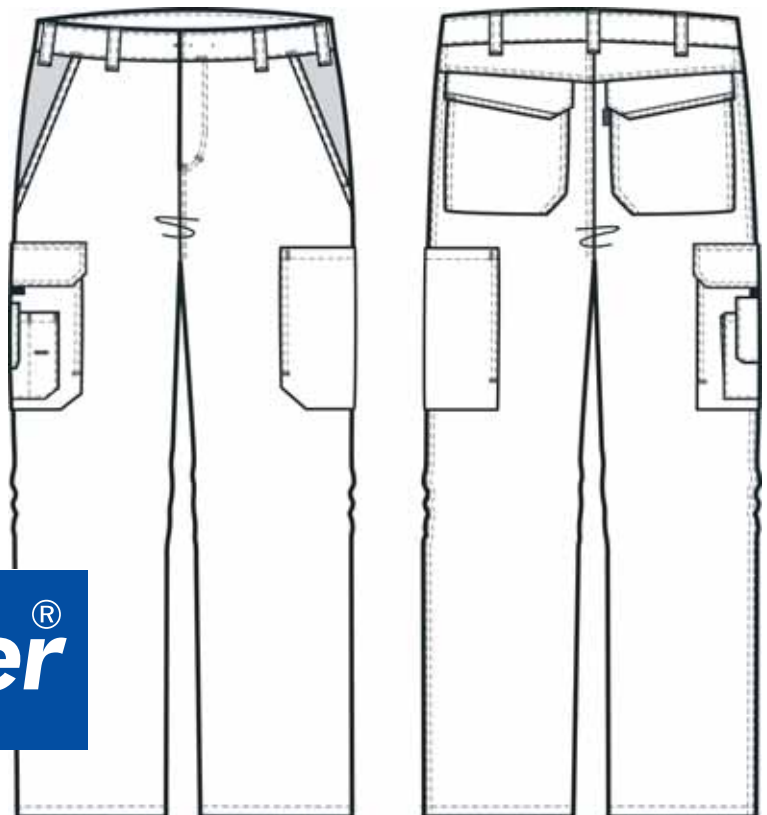


## Up Front ladies' trousers

At last, ladies' trousers with a good fit! Two leg pockets, one with a mobile phone pocket, two back pockets with flap and two reinforced side pockets. They have a double hem so you can extend the length by 3 cm by opening a seam, the longer leg is pre-hemmed and ready to wear. Material: Indestructible Comfort+. 245 g/m<sup>2</sup>.

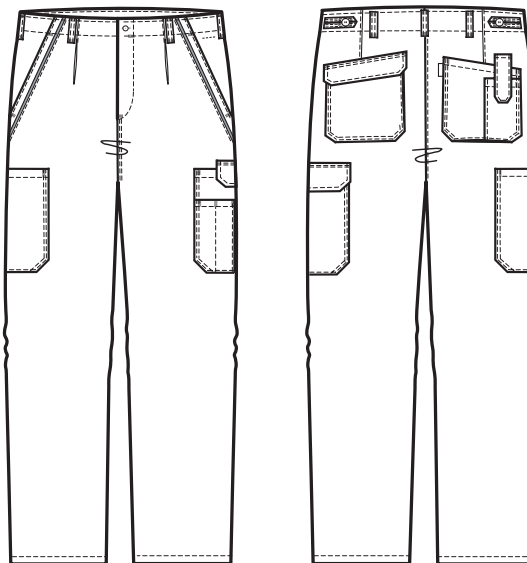
Size: 34 - 48

OrderNo: 642002438 Dark grey/grey  
642002469 Navy blue/blue  
642002499 Black/dark grey



**Björnkläder®**

Front Line is one of our most popular collections. People who work in the service and transport sectors want good-looking, comfortable clothes.



**Trousers**

Colour: Red/black

Size: 44 - 60, 100 - 120, 146 - 154

OrderNo: 251002425



**Jacket**

Colour: Red/black

Size: XS - XXL

OrderNo: 781002425

**Boilersuit**

Colour: Red/black

Size: 44 - 60, 148 - 154

OrderNo: 881002425

**Fabric description**  
 The Front Line collection is made of Indestructible Comfort+ with a brushed inside for greater comfort and a gentle cotton feel. 65% polyester/35% cotton, weight 245 g/m<sup>2</sup>.

# Mix and match however you like. Why not a green jacket and black trousers?



## Jacket

Colour: Green/black  
Size: XS - XXL  
OrderNo: 781002457



## Shorts

Colour: Green/black  
Size: 46 - 58  
OrderNo: 021002457



## Trousers

Colour: Green/black  
Size: 44 - 60, 100 - 120, 146 - 154  
OrderNo: 251002457



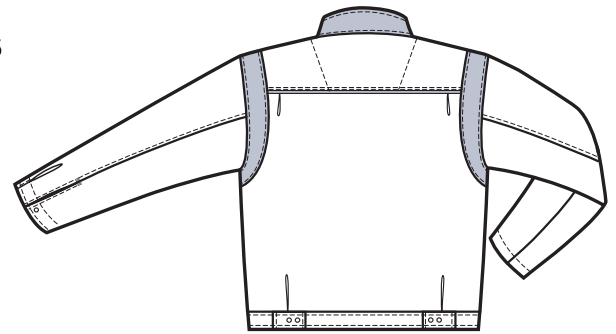
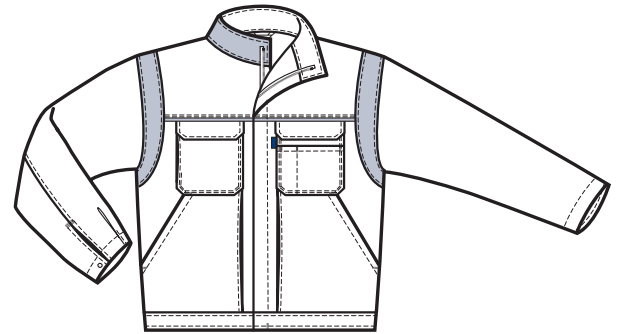
## Boilersuit

Colour: Green/black  
Size: 44 - 60, 148 - 154  
OrderNo: 881002457



**Jacket**

Colour: Royal/navy.  
 Size: XS - XXL  
 OrderNo: 781002465



**Fabric description**

The Front Line collection is made of Indestructible Comfort+ with a brushed inside for greater comfort and a gentle cotton feel. 65% polyester/35% cotton, weight 245 g/m<sup>2</sup>.

**Boilersuit**

Colour: Royal/navy  
 Size: 44 - 60, 148 - 154  
 OrderNo: 881002465



**Trousers**

Colour: Royal/navy  
 Size: 44 - 60, 100 - 120, 146 - 154  
 OrderNo: 251002465



## Jacket

Colour: Navy/royal  
Size: XS - XXL  
OrderNo: 781002469



## Trousers

Colour: Navy/royal  
Size: 44 - 60, 100 - 120, 146 - 154  
OrderNo: 251002469



## Shorts

Colour: Navy/royal  
Size: 46 - 58  
OrderNo: 021002469



## Boilersuit

Colour: Navy/royal  
Size: 44 - 60, 148 - 154  
OrderNo: 881002469

Live it up in our  
boilersuit?  
Adjustable waist  
to fit your shape.

Nice clothes are never out of place when you mingle with customers.



**Björnkläder**®

#### Jacket

Colour: Grey/wine

Size: 2XL - XL

OrderNo: 781002436

#### Fabric description

The Front Line collection is made of Indestructible Comfort+ with a brushed inside for greater comfort and a gentle cotton feel. 65% polyester/35% cotton, weight 245 g/m<sup>2</sup>.



#### Boilersuit

Colour: Grey/wine

Size: 44 - 60, 148 - 154

OrderNo: 881002436



#### Trousers

Colour: Grey/wine

Size: 44 - 60, 100 - 120, 146 - 154

OrderNo: 251002436



## Jacket

Colour: Black/grey

Size: 2XL - XL

OrderNo: 781002499



## Shorts

Colour: Black/grey

Size: 46 - 58

OrderNo: 021002499

### Fabric description

The Front Line collection is made of Indestructible Comfort+ with a brushed inside for greater comfort and a gentle cotton feel. 65% polyester/35% cotton, weight 245 g/m<sup>2</sup>.



## Trousers

Colour: Black/grey

Size: 44 - 60, 100 - 120, 146 - 154

OrderNo: 251002499



## Boilersuit

Colour: Black/grey

Size: 44 - 60, 148 - 154

OrderNo: 881002499

# Even the ladies like our Front Line trousers!

## Björnkläder®

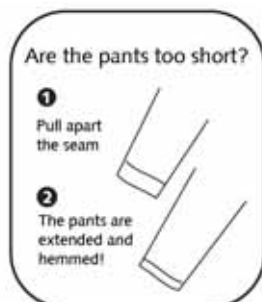


### Women' s Front Line trousers

New trousers from our popular Front Line series. Especially designed for the female form. They have all the pockets you need: double leg pockets and back pouch pockets with flap. There' s even a practical pocket for your cell phone. Crotch gusset for maximum durability and long garment life. The trousers come with apractical double hem so you can extend the lenght by simply opening a seam. The new, longer leg is pre-hemmed and ready to wear.

Size: 34 - 48

OrderNo: 273702436 Grey/wine  
273702469 Navy/royal blue  
273702499 Black/grey



Choose your own colours, mix them as you like and you will create a successful team – to be seen everywhere



Jacket  
Trousers  
Shorts  
Boilersuit

Jacket  
Trousers  
Shorts  
Boilersuit

Jacket  
Trousers  
Shorts  
Boilersuit

Jacket  
Trousers  
Shorts  
Boilersuit

Jacket  
Trousers  
Shorts  
Boilersuit

Jacket  
Trousers  
Shorts  
Boilersuit

Jacket  
Trousers  
Shorts  
Boilersuit

Jacket  
Trousers  
Shorts  
Boilersuit

## A handful always ready to go

Long delivery times? No, as quick as a pit stop. We deliver two or four weeks after your order. Front Line Quick Response garments are made of 65% polyester and 35% cotton and weighs 245 g/m<sup>2</sup>. The material is brushed on the inside for better comfort. If you want to know more about the functions of the different garments, turn some pages back to the Front Line section. There are 62 colour combinations!

**Shorts** - model 021.

**Men's trousers** - model 251.

**Women's trousers** - model 273.

**Boiler suit** - model 881.

**Jacket** - model 781.

Sizes: 46-58

Sizes: 44-60, 146-154, 100-120

Sizes: 34-48

Sizes: 44-60, 148-154

Sizes: XS-XXL

# COLOUR SCHEME - FRONT LINE QUICK RESPONSE

## Choose freely among 62 combinations

Order number = model number + colour code

Red	Wine	Grey	Dark green	Royal	Navy	Black
Mod.+C42425*	Mod.+C42427*	Mod.+C42436	Mod.+C42457	Mod.+C42465	Mod.+C42469*	
Mod.+F42425	Mod.+F42427	Mod.+F42436	Mod.+F42457	Mod.+F42465	Mod.+F42469	Mod.+F42499*
Mod.+H42425	Mod.+H42427	Mod.+H42436	Mod.+H42457	Mod.+H42465	Mod.+H42469	Mod.+H42499*
Mod.+K42425	Mod.+K42427	Mod.+002436	Mod.+K42457	Mod.+K42465	Mod.+K42469	Mod.+K42499*
Mod.+N42425	Mod.+N42427	Mod.+N42436	Mod.+N42457	Mod.+N42465	Mod.+N42469	Mod.+002499*
Mod.+P42425	Mod.+P42427	Mod.+P42436	Mod.+P42457	Mod.+P42465	Mod.+P42469	Mod.+P42499*
Mod.+T42425	Mod.+T42427	Mod.+T42436	Mod.+T42457	Mod.+T42465	Mod.+002469	Mod.+T42499*
Mod.+X42425	Mod.+X42427	Mod.+X42436	Mod.+X42457	Mod.+002465	Mod.+X42469	Mod.+X42499*
Mod.+002425	Mod.+Z42427	Mod.+Z42436	Mod.+002457	Mod.+Z42465	Mod.+Z42469	Mod.+Z42499*

\* = Colour might bleed onto contrast colours and decals or embroidery. Wash separately when new.

## Two order & delivery options - Quick or Normal:

**Quick QR-production**

- + 1 - 39 garments, free size distribution
- + Delivered within 2 weeks

**Normal QR-production**

- + minimum 40 garments, 2 garm./size
- + Delivered within 6 weeks

Red order no. = stock item

# Good looking and comfortable Access trousers with lots of practical pockets. A perfect choice for the service industry.

## Trousers

Good looking canvas structure. 65% polyester, 35% cotton. All the pockets you need - double leg pockets, mobile phone pocket, pocket with zipper.

Size: 46 - 60, 146 - 156, 100 - 120

OrderNo: 243003899 Black  
 243003868 Navy  
 243003842 Khaki

### Fabric description

The tough canvas structure in this material looks right - like cotton but with all the positive polyester blend attributes. The 65% polyester and 35% cotton fabric resists wear. And the high polyester content makes it colourfast even when up against constant abrasion and perspiration. The fabric is washable in industrial laundries at high temperatures; naturally, it complies with Öko-Tex Standard 100. Weight: 295 g/m<sup>2</sup>



# Radikal new trousers with jeans feeling!

## Fabric description

A mix of 55% cotton and 45% polyester, woven to a jeans like appearance. Weight 350 g/m<sup>2</sup>. The garment has only minor shrinkage and good colourfastness.



## Radikal trousers with denim-look

The fit on these trousers are the same as on your favourite jeans. We have chosen a fabric of cotton/polyester, which ensures colourfastness and minimal shrinkage. You will find front pockets, double back pockets with flap and a leg pocket with zipper and so called "drop-in"-pocket. Colour: Black melange. Weight: 350g.

Size: 44 - 60, 96 - 120, 146 - 154

OrderNo: 669002599



**Björnkläder®**